

---

## Video Conferencing Room Solution - VA200



# Attentions

---

**This manual introduces functions, installation and operations for VA200 video conferencing room solution in details. Please read this manual carefully before installation and use.**

## **1. How to Use**

To prevent damage to this product or any product connected to it, this product can only be used within the specified range.

- 1.1 Do not expose the product to rain or moisture.
- 1.2 To prevent the risk of electric shock, do not open the case. Installation and maintenance should only be carried out by qualified technicians.
- 1.3 Do not use the product beyond the specified temperature, humidity or power supply specifications.
- 1.4 Wipe it with a soft, dry cloth when cleaning the camera lens. Wipe it gently with a mild detergent if needed. Do not use strong or corrosive detergents to avoid scratching the lens and affecting the image;

## **2. Electrical Safety**

Installation and use of this product must strictly comply with local electrical safety standards.

## **3. Handle with care**

Avoid damage to product caused by heavy pressure, strong vibration or immersion during transportation, storage and installation.

## **4. Install with Caution**

- 4.1 Do not rotate the camera head violently, otherwise it may cause mechanical failure;
- 4.2 This product should be placed on a stable desktop or other horizontal surface. Do not install the product obliquely, otherwise it may display inclined image;
- 4.3 Housing of this product is made of organic materials. Do not expose it to any liquid, gas or solids which may corrode the shell.
- 4.4 Ensure there are no obstacles within rotation range of the holder.
- 4.5 Do not power on before completely installation.

## **5. Do not Disassemble the Product without Permission**

This product contains no parts which can be maintained by users themselves. Any damage caused by dismantling the product by user without permission is not covered by warranty.

## **6. Magnetic Interference**

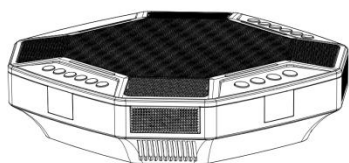
Electromagnetic fields at specific frequencies may affect the image. This product is Class A. It may cause radio interference in household application. Appropriate measure is required.

## Content

ATTENTIONS.....	1
1. Packing Contents .....	3
2. Product Overview .....	4
2.1 VA200-A: Speakerphone .....	4
2.2 VA200-V: HD PTZ Camera.....	4
2.3 VA200-H: Hub.....	5
3. Connection Description.....	6
4. Keys Description.....	7
4.1 Keys Description of Remote Control.....	7
4.2 keys Description of Speakerphone.....	8
5. Work with Video Conferencing Software.....	9
6. Bluetooth Pairing.....	10
7. Presets.....	10
8. Technical Specifications.....	10
Copyright Statement.....	12

# 1 Packing Contents

1



2



3



4



5



6



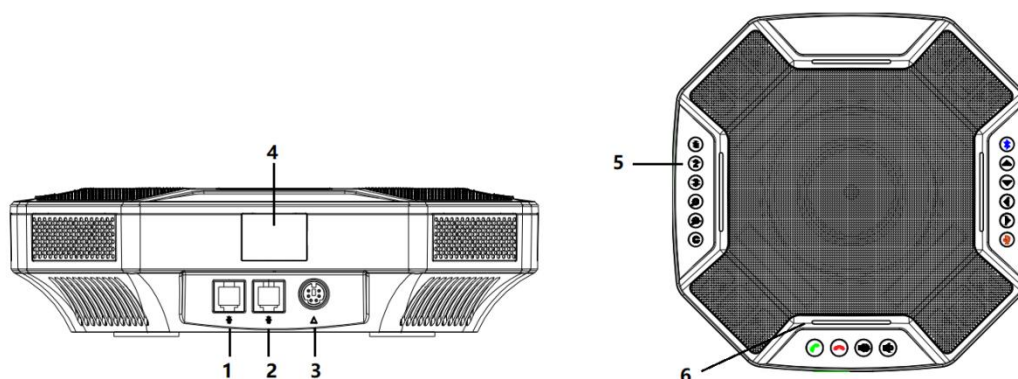
7



1. Speakerphone
2. HD PTZ Camera
3. Hub
4. Remote Control
5. 5m DIN6 Cable \* 2 pcs
6. 3m USB cable \*1 pcs
7. Power supply

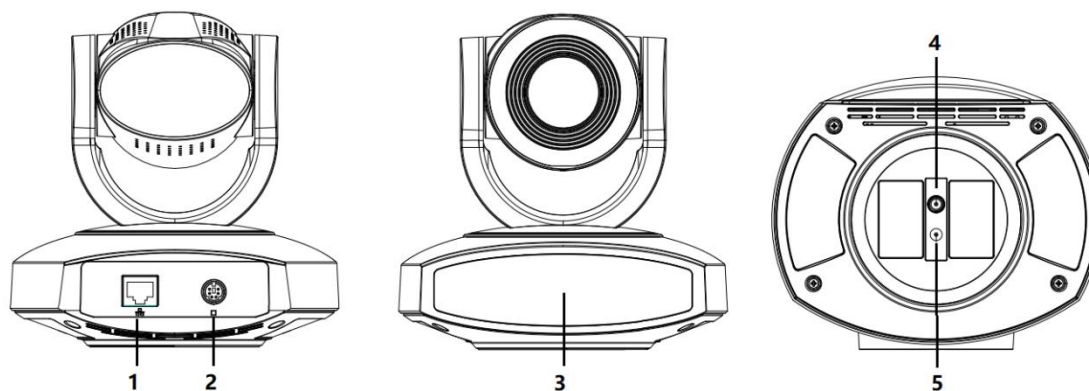
## 2 Product Overview

### 2.1 VA200-A: Speakerphone



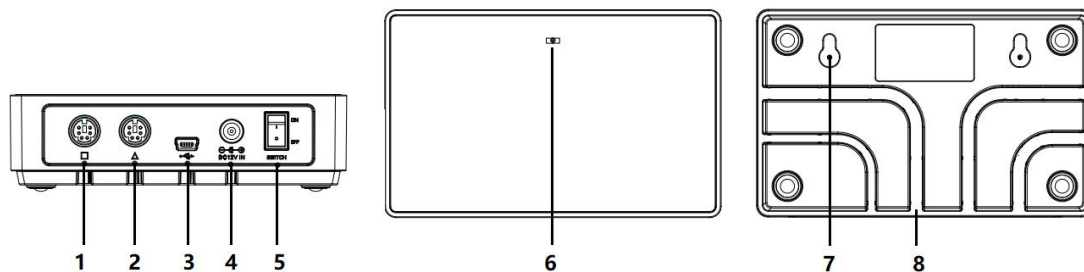
1. Optional expansion microphone port 1
2. Optional expansion microphone port 2
3. DIN6 cable port
4. IR remote control receiver
5. Function keys
6. Status indicator

### 2.2 VA200-V: HD PTZ Camera



1. LAN (Upgrade and maintenance)
2. DIN6 Cable port
3. Power and infrared receiving indicator
4. Bracket mounting screw holes
5. Bracket mounting positioning hole

## 2.3 VA200-H: Hub



1. DIN6 Cable port

2. DIN6 Cable port

3. Mini USB port

4. Power port

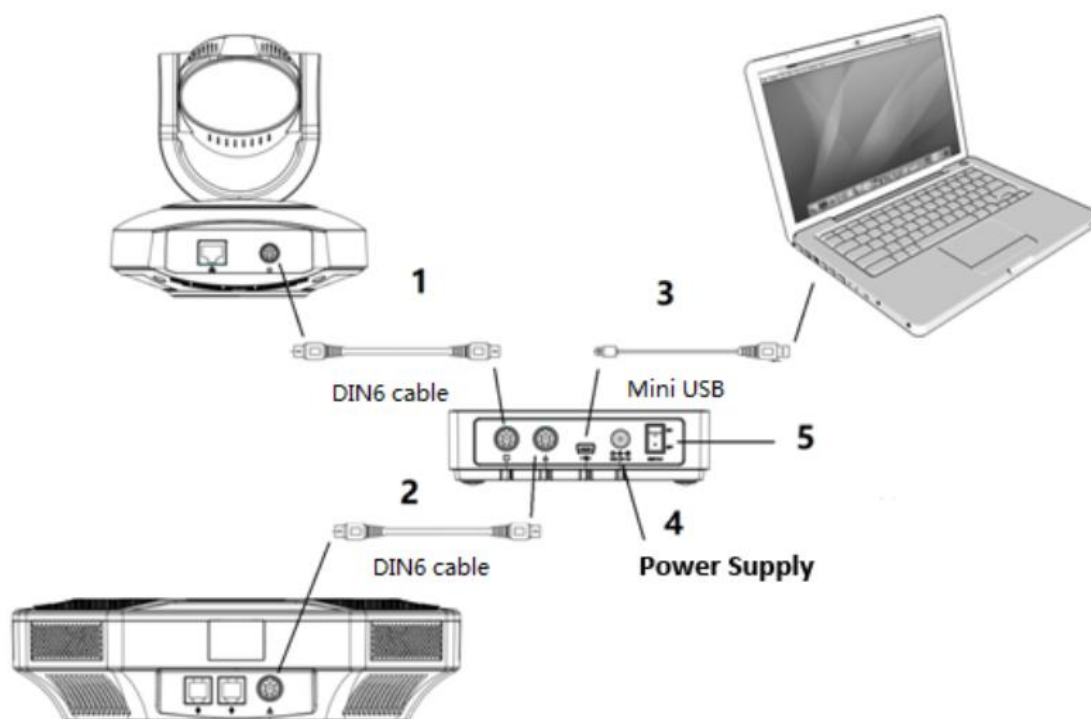
5. Power switch

6. Power indicator

7. Screw holes

8. Wire slot

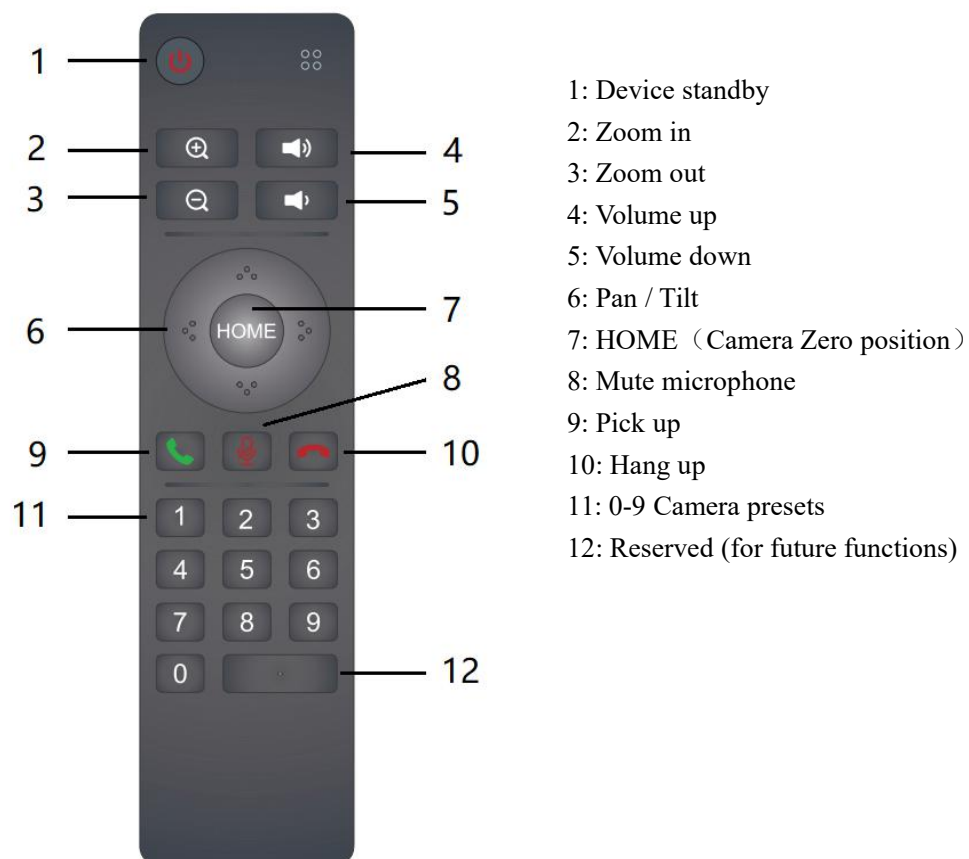
### 3 Connection Description



1. Connect camera and hub with original DIN6 data cable
2. Connect the speakerphone and hub with original DIN6 data cable
3. Connect the computer to the hub with the original USB cable
4. Connect with the original power adapter and power supply
5. Switch to power on

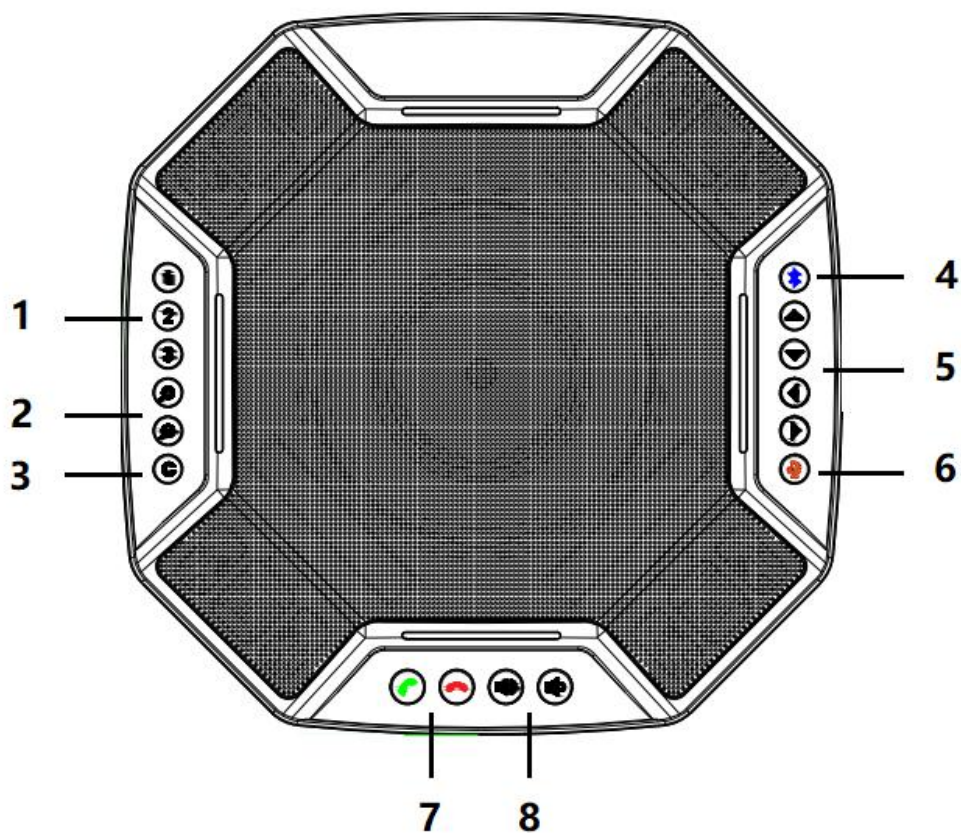
## 4 Keys Description

### 4.1 Keys Description of Remote Control





## 4.2 keys Description of Speakerphone



1. 1-3 Presets

2. Zoom in / Zoom out

3. Camera Zero position

4. Bluetooth pairing

5. Camera pan / tilt

6. Mute microphone

7. Pick up / Hang up

8. Volume up / volume down

## 5 Work with Video Conferencing Software

Correctly connect VA200. Login on your video conferencing software on the computer, and select the corresponding camera, microphone and speaker driver, then the VA200 and VC software could serve for your video conferencing perfectly.

Refer to the image below (ZOOM software for example).



## 6 Bluetooth Pairing

Once paired with a Bluetooth device, you can use the speakerphone for audio call.

To pair your Bluetooth device with the speakerphone, follow steps below:

1. Press and hold the Bluetooth pairing button until the status indicator flashes blue light. The speakerphone is under Bluetooth pairing mode.
2. Search VA200 with your Bluetooth device and connect.

## 7 Preset


### How to save preset:

Adjust the camera to the position that needs to be preset. Press and hold the preset button for 5 seconds. The corresponding preset position is set successfully. (Note: 10 preset positions (0-9) can be set on the remote control; 3 preset positions (1-3) available for the speakerphone. The preset 0 is the power-on preset position).

### How to use preset position:


Short press the preset button to call the corresponding preset position (Note: the number key is invalid if it's not preset);

## 8 Technical Specifications


Model NO.	VA200-V
Product Picture	
Sensor	1/2.8 inch high quality HD CMOS sensor
Effective Pixels	2.07M, 16: 9
Video Format	176x144/320x240/320x180/352x288/640x480/720x480/720x576/ 640x360/800X600/960X540/1024X576/1024X768/1280X720/ 1920X1080P30/25/20/15/10/5

## VA200 Video Conferencing Room Solution User Manual

<b>Optical zoom lens</b>	5xoptical zoom, f=3.1~15.5mm
<b>View angle</b>	20° (tele) 83.7° (wide)
<b>Aperture value</b>	F1.8 – F2.8
<b>Digital Zoom</b>	X10
<b>Minimum Illumination</b>	0.5Lux(F1.8, AGC ON)
<b>DNR</b>	2D & 3D DNR
<b>White Balance</b>	Auto / Manual/ One Push/ 3000K/3500K/4000K/4500K/5000K/5500K/6000K/6500K/7000K
<b>Focus</b>	Auto/Manual/One Push
<b>Aperture/Electronic Shutter</b>	Auto/Manual
<b>BLC</b>	ON/OFF
<b>WDR</b>	OFF/ Dynamic level adjustment
<b>Video Adjustment</b>	Brightness, Color, Saturation, Contrast, Sharpness, B/W mode, Gamma curve
<b>SNR</b>	>55dB
<b>Rotation angle</b>	Pan: -125°~+125°, Tilt:-30°~+30°
<b>Control speed</b>	Pan: 0.1 ~65°/sec, Tilt:0.1~35°/sec
<b>Preset speed</b>	Pan: 65°/sec, Tilt: 35°/sec
<b>Dimensions</b>	151.64mm×131.25mm×154.5mm (L×W×H)

<b>Model NO.</b>	<b>VA200-A</b>
<b>Product Picture</b>	
<b>Voice technical parameters</b>	Acoustic Echo cancellation (AEC): >65dB Echo length cancellation: ≥400ms Bidirectional noise compression (NC): <25dB Automatic Direction finding Technology of Intelligent microphone (EMI) Automatic gain control (AGC)
<b>Audio parameters</b>	Microphone frequency response: 100Hz-22KHz Speaker frequency response: 100Hz-22KHz Speaker volume: 95dB at the most Microphone sound-pickup diameter: 6 meters, 360 degrees full range
<b>Bluetooth</b>	Bluetooth devices available
<b>IR Reception</b>	Angle: 360° Distance: 10m IR Transparent transmission available
<b>Expansion (optional) Mic</b>	2 external microphones optional for connection makes the sound-pickup diameter up to 10 meters
<b>Dimensions</b>	200mm×200mm×52mm(L×W×H)

## VA200 Video Conferencing Room Solution User Manual

Model NO.	VA200-H
Product Picture	
Interface	Mini DIN6 ×2 Power interface × 1 Power switch × 1 Mini USB interface × 1
Power supply	EC3800 plug(DC12V) Adapter input AC110V-AC220V,output DC12V/1.5A
Connection Cable	Mini DIN6 data line × 2 Length: 5m (10m/15m for options)
USB cable	USB2.0 cable
Compatibility	Support Windows, Android, iOS and Linux Drive-free automatic recognition of cameras, microphones and speakers Compatible with Zoom, Lynch, Vidy, Skype for business and etc.
Dimensions	100mm×62mm×27mm(L×W×H)
Accessories	Power adapter, USB2.0 cable, remote controller, 2 connection cables, user manual,

## Copyright Statement

All the contents in this manual and its copyright are owned by the company. No one is allowed to imitate, copy, or translate this manual without the company's permission. This manual contains no guarantee, standpoint expression or other implies in any form. Product specification and information in this manual is for reference only and subject to change without notice.

All rights reserved. No reproducing is allowed without acknowledgement.